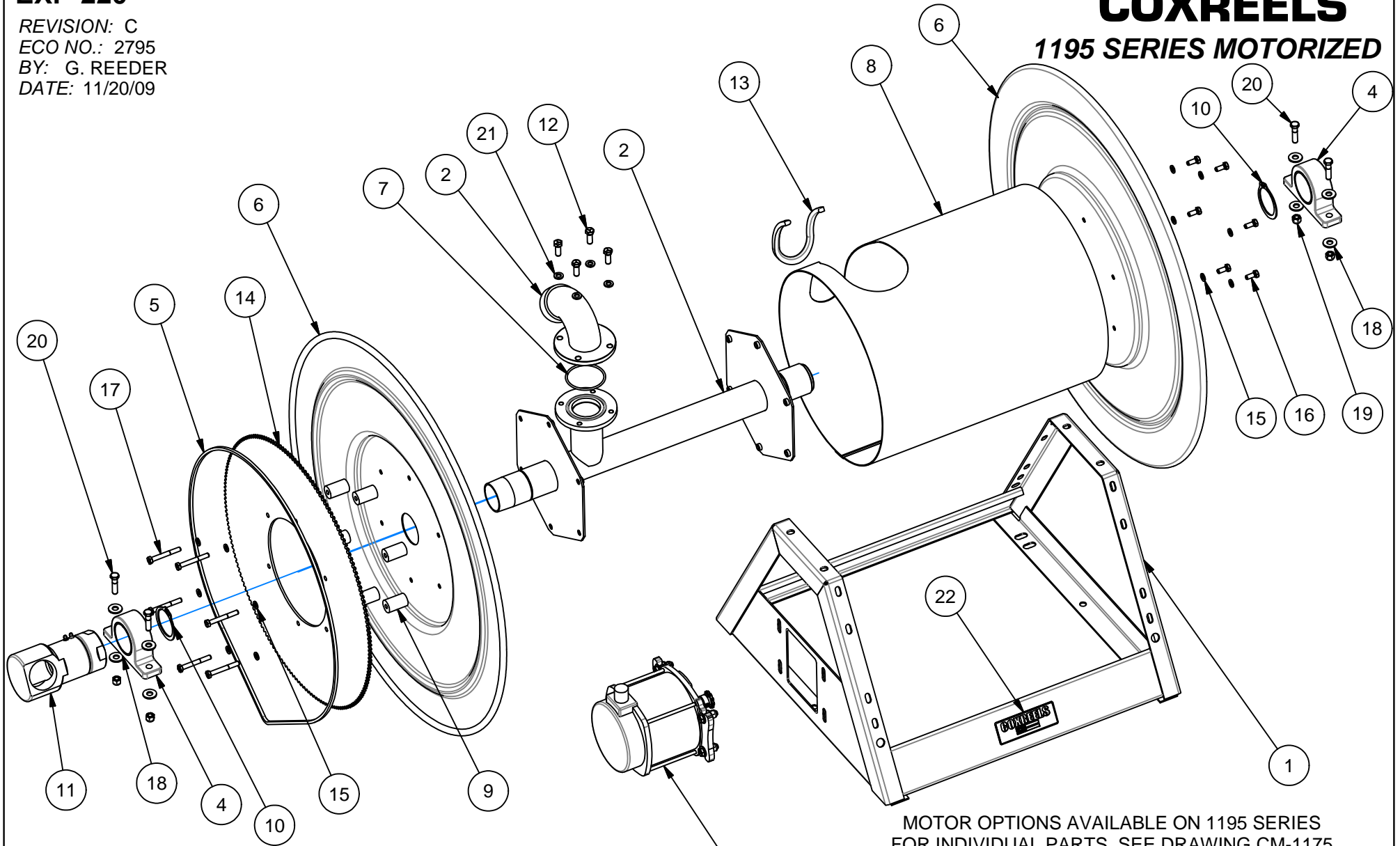


# EXP-220

REVISION: C  
ECO NO.: 2795  
BY: G. REEDER  
DATE: 11/20/09

# COXREELS

## 1195 SERIES MOTORIZED



FOR BAND BRAKE, KIT #8301, USE OPTION "K"  
FOR BEVEL GEAR CRANK, KIT #8190, USE OPTION "-C"

MOTOR OPTIONS AVAILABLE ON 1195 SERIES  
FOR INDIVIDUAL PARTS, SEE DRAWING CM-1175

| OPTION | MOTOR TYPE                   | KIT NUMBER |
|--------|------------------------------|------------|
| -AB    | AIR - #6                     | CM-1175-AB |
| -EA    | 115 V-AC, EXP. PROOF (1/2HP) | CM-1175-EA |
| -EB    | 24 V-DC, EXP. PROOF (1/2HP)  | CM-1175-EB |
| -ED    | 12 V-DC, EXP. PROOF (1/2HP)  | CM-1175-ED |
| -H     | HYDRAULIC                    | CM-1175-H  |

## COMMON PARTS TO ALL 1195 REELS W/ MOTOR

| ITEM NO. | PART NO.  | DESCRIPTION                        | QUANTITY REQUIRED |             |             |            |             |             |
|----------|-----------|------------------------------------|-------------------|-------------|-------------|------------|-------------|-------------|
|          |           |                                    | 1195-1728-X       | 1195-2428-X | 1195-3228-X | 1195-932-X | 1195-1332-X | 1195-2032-X |
| 1        | 8143-1728 | FRAME, 28"                         | 1                 | -           | -           | -          | -           | -           |
|          | 8143-2428 | FRAME, 28"                         | -                 | 1           | -           | -          | -           | -           |
|          | 8143-3228 | FRAME, 28"                         | -                 | -           | 1           | -          | -           | -           |
|          | 8143-932  | FRAME, 32"                         | -                 | -           | -           | 1          | -           | -           |
|          | 8143-1332 | FRAME, 32"                         | -                 | -           | -           | -          | 1           | -           |
|          | 8143-2032 | FRAME, 32"                         | -                 | -           | -           | -          | -           | 1           |
| 2        | 8130-9.5  | AXLE ASSEMBLY                      | -                 | -           | -           | 1          | -           | -           |
|          | 8130-13.5 | AXLE ASSEMBLY                      | -                 | -           | -           | -          | 1           | -           |
|          | 8130-17.5 | AXLE ASSEMBLY                      | 1                 | -           | -           | -          | -           | -           |
|          | 8130-20   | AXLE ASSEMBLY                      | -                 | -           | -           | -          | -           | 1           |
|          | 8130-24   | AXLE ASSEMBLY                      | -                 | 1           | -           | -          | -           | -           |
|          | 8130-32   | AXLE ASSEMBLY                      | -                 | -           | 1           | -          | -           | -           |
| 3        | 8150      | RISER HEAD                         | 1                 | 1           | 1           | 1          | 1           | 1           |
| 4        | 8154      | BEARING ASSEMBLY                   | 2                 | 2           | 2           | 2          | 2           | 2           |
| 5        | 20398     | CHAIN ASSEMBLY                     | 1                 | 1           | 1           | 1          | 1           | 1           |
| 6        | 8157-1    | DISC, 28"                          | 2                 | 2           | 2           | -          | -           | -           |
|          | 8136-1    | DISC, 32"                          | -                 | -           | -           | 2          | 2           | 2           |
| 7        | 8186      | O-RING SEAL                        | 1                 | 1           | 1           | 1          | 1           | 1           |
| 8        | 8135-9.5  | DRUM: $\varnothing$ 15-1/2" CENTER | -                 | -           | -           | 1          | -           | -           |
|          | 8135-13.5 | DRUM: $\varnothing$ 15-1/2" CENTER | -                 | -           | -           | -          | 1           | -           |
|          | 8135-17.5 | DRUM: $\varnothing$ 15-1/2" CENTER | 1                 | -           | -           | -          | -           | -           |
|          | 8135-20   | DRUM: $\varnothing$ 15-1/2" CENTER | -                 | -           | -           | -          | -           | 1           |
|          | 8135-24   | DRUM: $\varnothing$ 15-1/2" CENTER | -                 | 1           | -           | -          | -           | -           |
|          | 8135-32   | DRUM: $\varnothing$ 15-1/2" CENTER | -                 | -           | 1           | -          | -           | -           |
| 9        | 20780-2   | SPACER                             | 6                 | 6           | 6           | 6          | 6           | 6           |
| 10       | 8187      | RING: #5100-237 RETAINING          | 2                 | 2           | 2           | 2          | 2           | 2           |
| 11       | 8188      | SWIVEL: 2"                         | 1                 | 1           | 1           | 1          | 1           | 1           |
| 12       | 20016     | BOLT: 3/8-16 x 1" HEX              | 4                 | 4           | 4           | 4          | 4           | 4           |
| 13       | 7460-25   | TRIM: DRUM EDGE                    | 1                 | 1           | 1           | 1          | 1           | 1           |
| 14       | 20500     | SPROCKET: 180 TOOTH                | 1                 | 1           | 1           | 1          | 1           | 1           |
| 15       | 112       | WASHER: 5/16" LOCK                 | 12                | 12          | 12          | 12         | 12          | 12          |
| 16       | 312       | BOLT, 5/16-18 x 3/4" HEX           | 6                 | 6           | 6           | 6          | 6           | 6           |
| 17       | 10218     | BOLT: 5/16-18 x 2-1/2" HEX         | 6                 | 6           | 6           | 6          | 6           | 6           |
| 18       | 1529-1    | WASHER: 3/8" FLAT                  | 8                 | 8           | 8           | 8          | 8           | 8           |
| 19       | 435       | NUT: 3/8-16 NYLOCK                 | 4                 | 4           | 4           | 4          | 4           | 4           |
| 20       | 481       | BOLT: 3/8-16 x 1-1/2" HEX          | 4                 | 4           | 4           | 4          | 4           | 4           |
| 21       | 437       | WASHER: 3/8" LOCK                  | 4                 | 4           | 4           | 4          | 4           | 4           |
| 22       | 10925-5   | LABEL: STANDARD PRODUCT            | 1                 | 1           | 1           | 1          | 1           | 1           |

REVISION: C  
ECO: 2795

DATE: 11/20/2009  
NAME: G. REEDER