

EXP-113

REVISION: H
ECO NO.: 2794
BY: G. REEDER
DATE: 11/13/09

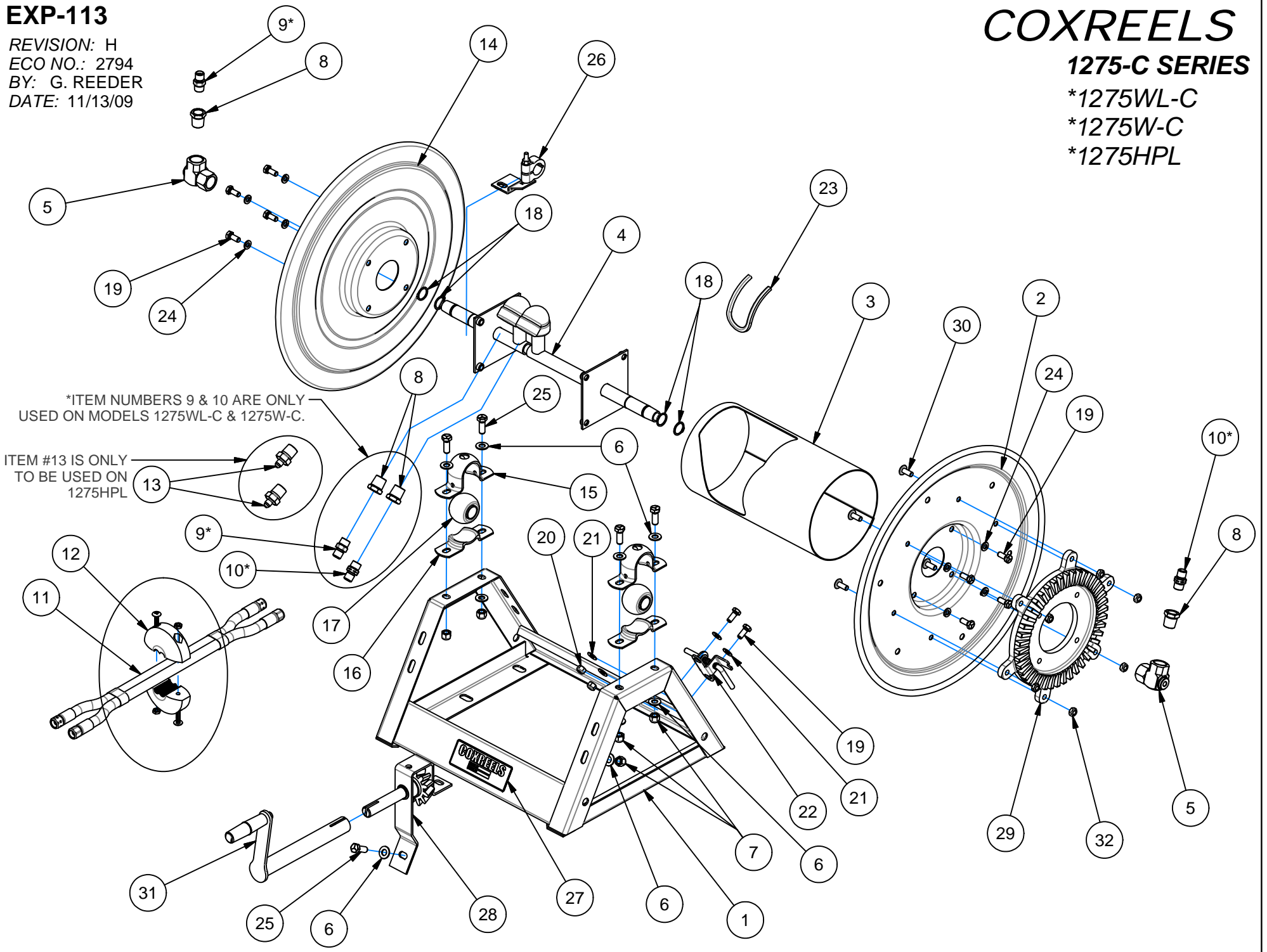
COXREELS

1275-C SERIES

*1275WL-C

*1275W-C

*1275HPL



*ITEM NUMBERS 9 & 10 ARE ONLY
USED ON MODELS 1275WL-C & 1275W-C.

ITEM #13 IS ONLY
TO BE USED ON
1275HPL

COMMON PARTS TO ALL 1275 MODELS

ITEM NO.	PART NO.	DESCRIPTION	QTY.
14	7415	DISK	1
15	20064-T	PILLOW BLOCK, MTG (TOP)	2
16	20064-B	PILLOW BLOCK, MTG (BTM)	2
17	20649	BEARING	2
18	153	RETAINING RING	4
19	312	BOLT: HEX, 5/16-18 X 3/4"	10
20	111	NUT: LOCK, 5/16-18	2
21	20171	WASHER: FLAT, 5/16	4
22	20843	LOCKING PIN ASSY	1
23	7460-11	TRIM, DRUM EDGE	1
24	112	WASHER, LOCK, 5/16	8
25	20016	BOLT, HEX, 3/8-16 X 1"	5
26	7429-4	DRAG BRAKE ASSY	1
27	10925-5	LABEL: STANDARD PRODUCT	1

PARTS FOR 1275 MODELS W/CRANK (SUFFIX "-C")

ITEM NO.	PART NO.	DESCRIPTION	QTY.
28	8855	ASSEMBLY: PINION GEAR & BRACKET	1
29	7483	GEAR, BEVEL	1
30	7487	BOLT, TRUSS HD, 5/16X3/4"	6
31	7513	HAND CRANK ASSY	1
32	111-1	NUT, LOCK, 5/16-18	6

*NOTE: ON 1275HPL RIM REWIND MODELS WITHOUT "-C" SUFFIX, THESE PARTS ARE EXCLUDED.

ITEM NUMBER

MODEL NO.	1	2	3	4	5	6	7	8	9	10	11	12	13
	FRAME	DISK	DRUM, CENTER	ASSY., AXLE	SWIVEL (2)	WASHER, FLAT, 3/8"	NUT, LOCK, 3/8-16	ADAPTOR (4) 1/2" NPTM X 3/8" NPTF	ADAPTOR (2) 3/8" NPTM X 9/16 M RHT	ADAPTOR (2) 3/8" NPTM X 9/16 M LHT	HOSE ASSY 3/8" X 3/8" DUAL	BALL STOP	OUTLET OPTION
1275-4-50-C	7455-8	7485	7473-8	7470-8	439	157 (10)	435 (5)	-	-	-	-	-	-
1275-4-100-C	7455-12	7485	7473-12	7470-12	439	157 (10)	435 (5)	-	-	-	-	-	-
1275-4-150-C	7455-18	7485	7473-18	7470-18	439	157 (10)	435 (5)	-	-	-	-	-	-
1275-4-200-C	7455-24	7485	7473-24	7470-24	439	157 (10)	435 (5)	-	-	-	-	-	-
1275HPL-X-8 *	7455-8	7416	7473-8	7703-8	7707	157 (8)	435 (4)	SEE NOTE BELOW	-	-	-	-	SEE NOTE BELOW
1275HPL-X-12 *	7455-12	7416	7473-12	7703-12	7707	157 (8)	435 (4)		-	-	-	-	
1275HPL-X-8-C	7455-8	7485	7473-8	7703-8	7707	157 (10)	435 (5)		-	-	-	-	
1275HPL-X-12-C	7455-12	7485	7473-12	7703-12	7707	157 (10)	435 (5)		-	-	-	-	
1275WL-3-100-C	7455-8	7485	7473-8	7470-8	439-1	157 (10)	435 (5)	7545	7546	7547	-	-	-
1275WL-3-150-C	7455-12	7485	7473-12	7470-12	439-1	157 (10)	435 (5)	7545	7546	7547	-	-	-
1275WL-3-250-C	7455-18	7485	7473-18	7470-18	439-1	157 (10)	435 (5)	7545	7546	7547	-	-	-
1275WL-3-350-C	7455-24	7485	7473-24	7470-24	439-1	157 (10)	435 (5)	7545	7546	7547	-	-	-
1275W-3-100-C	7455-8	7485	7473-8	7470-8	439-1	157 (10)	435 (5)	7545	7546	7547	7539-100	633	-
1275W-3-150-C	7455-12	7485	7473-12	7470-12	439-1	157 (10)	435 (5)	7545	7546	7547	7539-150	633	-
1275W-3-250-C	7455-18	7485	7473-18	7470-18	439-1	157 (10)	435 (5)	7545	7546	7547	7539-250	633	-
1275W-3-350-C	7455-24	7485	7473-24	7470-24	439-1	157 (10)	435 (5)	7545	7546	7547	7539-350	633	-

NOTE: ON ALL 1275HPL SERIES MODELS INLET IS ALWAYS 1/4" NPT FEMALE. THE "X" REPRESENTS OUTLET OPTION USING **ITEM #13** ADAPTOR.
 OUTLET OPTIONS: **4** = 1/2" NPT FEMALE (STD-NO ADAPTOR) **A** = -4 JIC MALE (#7817) **B** = -5 JIC MALE (#7818) WITH 1/2"X3/8" REDUCER (#7540) ITEM #8
C = 1/4" BSP FEMALE (#7821) **D** = M14 X 1.5 FEMALE (#7848)

REVISION:H

ECO: 2794

DATE: 11/13/09

NAME: G. REEDER