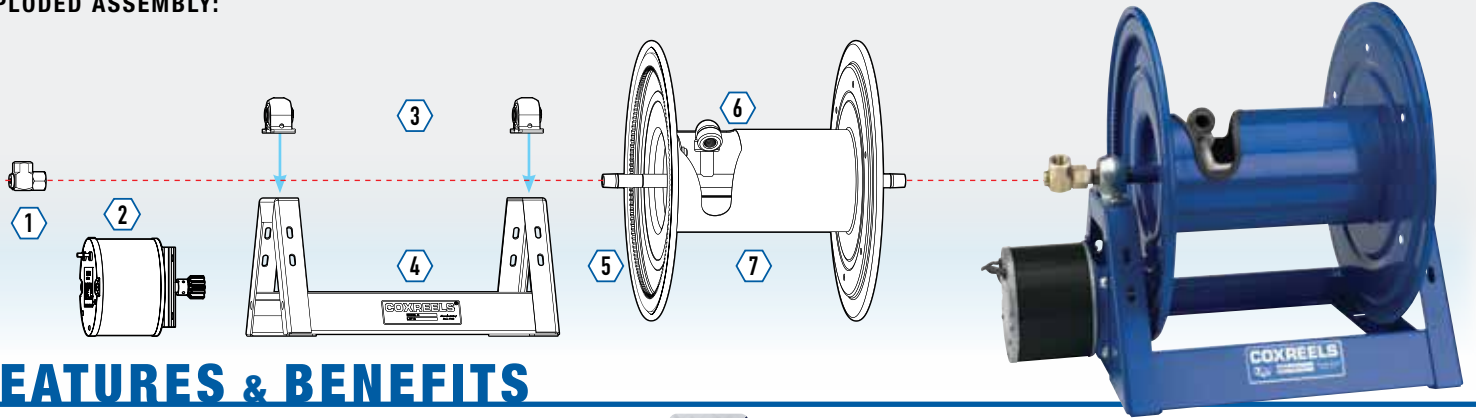




# FEATURE FOCUS MOTORIZED HOSE REEL

EXPLODED ASSEMBLY:



## FEATURES & BENEFITS

### STEEL CONSTRUCTION

High-Quality steel construction provides superior strength and durability for heavy-duty applications in commercial and industrial settings.



### POWDER COAT

CPC™ Powder Coat. Long lasting, chip resistant and rust inhibiting CPC™ powder coat finish seals all steel components for maximum corrosion resistance.



### 1 SWIVEL

Machined from solid brass 90° full-flow NPT swivel for simple seal maintenance and fast and easy hose installation. No need to remove the reel from its mount.

- Electroless nickel plated steel 90° full-flow NPT swivel inlet on 1"
- Inline aluminum straight full flow NPT swivel inlet on 1-1/2"
- Inline electroless nickel plated steel full-flow NPT swivel inlet on 2"



### 2 CHOICE OF MOTOR

Customize reel to specific application:

<b>Motor A</b>	Air - #4 gast comp. air motor	8 lbs
<b>Motor AB</b>	Air - #6 gast comp. air motor	8 lbs
<b>Motor E</b>	Elec. - 12v DC 1/3 HP rew. rev. type	13 lbs
<b>Motor EF</b>	Elec. - 24v DC 1/3 HP rew. rev. type	13 lbs
<b>Motor EB</b>	Elec. - 24v DC 1/2 HP rew. rev. type	26 lbs
<b>Motor ED</b>	Elec. - Expl. prf. - 12v DC 1/2 HP rew. rev. type	26 lbs
<b>Motor EA</b>	Elec. - Expl. Prf. - 115v 1/2 HP rew., AC rev. type	26 lbs
<b>Motor H</b>	Hydraulic end ported 9/16-18 UNF rev.	6 lbs
<b>Motor C</b>	Front hand crank bevel geared crank	3 lbs



### 3 PILLOW BLOCK BEARINGS

Pillow Block Bearings – Sturdy permanently lubricated and self-aligning pillow block bearings for smooth rotation and trouble-free operation.

- Robust lubricated horizontal surface mount bearings on 1-1/2" and 2" hose I.D. models.



### 4 "A" FRAME

Sturdy one piece, all CNC robotically welded 1/4" steel "A" frame base, not bolted, for superior reel structure.

Mounting Pattern – Mounting pattern located in the steel base for easy reel installation and detachment.



### 5 DIRECT DRIVE MOTOR

A solid steel halo is welded to the disc for a safe and reliable direct gear drive retraction on 1125 and 1275 Series.

- Lubricated chain and zinc plated steel sprocket on larger motorized 1175, 1185 and 1195 Series.



### 6 OUTLET RISER

Exclusive low profile outlet riser and open drum slot design provides a non-crimping, flat smooth hose wrap.



### 7 CNC SPUN DISCS

Heavy duty CNC robotically spun and ribbed discs with rolled edges for greater strength, durability, hose protection and operator safety.

## ACCESSORIES & UPGRADES



[www.coxreels.com](http://www.coxreels.com)

800.COX.REEL

P: 480.820.6396

F: 480.820.5132

E: [info@coxreels.com](mailto:info@coxreels.com)

FF-MDHR-01