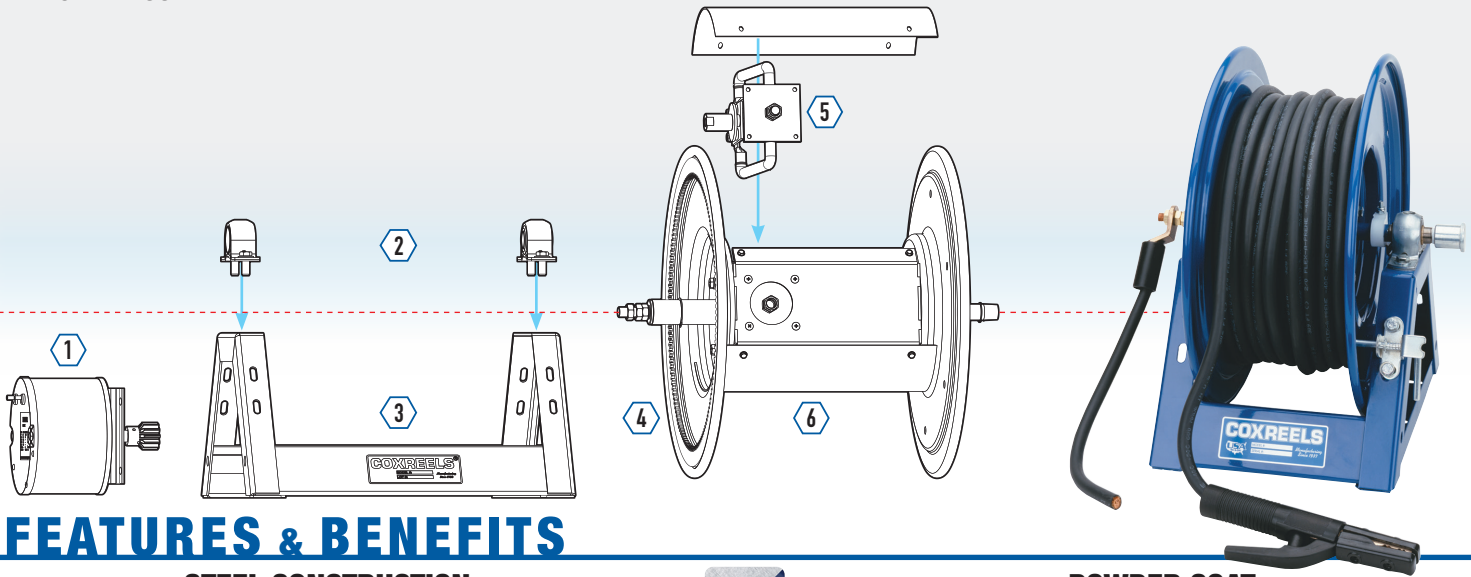




# FEATURE FOCUS MOTORIZED WELDING REEL

EXPLODED ASSEMBLY:



## FEATURES & BENEFITS

### STEEL CONSTRUCTION

High-Quality steel construction provides superior strength and durability for heavy-duty applications in commercial and industrial settings.



### POWDER COAT

CPC™ Powder Coat. Long lasting, chip resistant and rust inhibiting CPC™ powder coat finish seals all steel components for maximum corrosion resistance.

### 1 CHOICE OF MOTOR



A



AB



E, EF



EB, ED, & EA



H

Customize reel to specific application:

<b>Motor A</b>	Air - #4 gast comp. air motor	8 lbs
<b>Motor AB</b>	Air - #6 gast comp. air motor	8 lbs
<b>Motor E</b>	Elec. - 12v DC 1/3 HP rew. rev. type	13 lbs
<b>Motor EF</b>	Elec. - 24v DC 1/3 HP rew. rev. type	13 lbs
<b>Motor EB</b>	Elec. - 24v DC 1/2 HP rew. rev. type	26 lbs
<b>Motor ED</b>	Elec. - Expl. prf. - 12v DC 1/2 HP rew. rev. type	26 lbs
<b>Motor EA</b>	Elec. - Expl. Prf. - 115v 1/2 HP rew., AC rev. type	26 lbs
<b>Motor H</b>	Hydraulic end ported 9/16-18 UNF rev.	6 lbs
<b>Motor C</b>	Front hand crank bevel geared crank	3 lbs

### 2 PILLOW BLOCK BEARINGS



Pillow Block Bearings – Sturdy permanently lubricated and self-aligning pillow block bearings for smooth rotation and trouble-free operation.

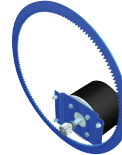
### 3 "A" FRAME



Sturdy one piece, all CNC robotically welded ¼" steel "A" frame base, not bolted, for superior reel structure.

Mounting Pattern – Mounting pattern located in the steel base for easy reel installation and detachment.

### 4 DIRECT DRIVE MOTOR



A solid steel halo is welded to the disc for a safe and reliable direct gear drive retraction on 1125 and 1275 Series.

- Lubricated chain and zinc plated steel sprocket on larger motorized 1175, 1185 and 1195 Series.

### 5 SLIP RING ASSEMBLY



Drum-located slip ring assembly with easy to access removable panel for simple routine maintenance.

- Electrical current runs through a heavy-duty 450 AMP rated slip ring.

### 6 CNC SPUN DISCS



Heavy duty CNC robotically spun and ribbed discs with rolled edges for greater strength, durability, hose protection and operator safety.

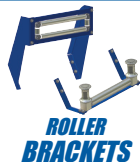
## ACCESSORIES & UPGRADES



STACKING BRACKET



GEAR GUARDS



ROLLER BRACKETS



SPEED CONTROLLER



[www.coxreels.com](http://www.coxreels.com)

800.COX.REEL

P: 480.820.6396

F: 480.820.5132

E: [info@coxreels.com](mailto:info@coxreels.com)

FF-MDWR-01