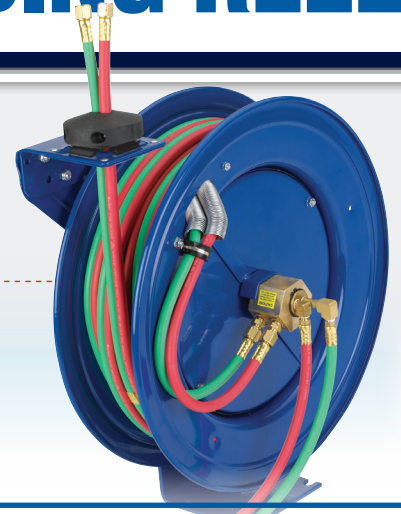
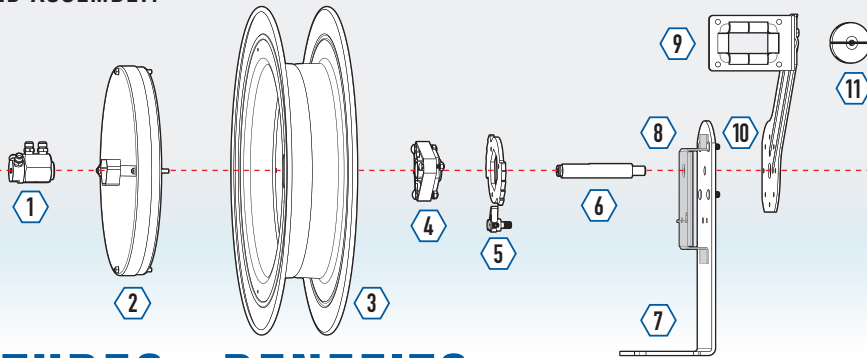




FEATURE FOCUS

SPRING DRIVEN WELDING REEL

EXPLODED ASSEMBLY:



FEATURES & BENEFITS

STEEL CONSTRUCTION

High-Quality steel construction provides superior strength and durability for heavy-duty applications in commercial and industrial settings.



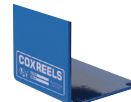
POWDER COAT

CPC™ Powder Coat. Long lasting, chip resistant and rust inhibiting CPC™ powder coat finish seals all steel components for maximum corrosion resistance.



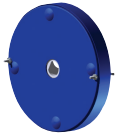
1 EXTERNAL FLUID PATH

External fluid path with 90° full-flow dual ported brass swivel offering both connections from the same side of the reel. The swivel screws directly on 1" solid steel axle, for simple VITON® seal maintenance and fast and easy hose installation. No need to remove the reel from its mount.
- With swivel lock bracket ensures maximum safety.



7 1/4" STEEL BASE

Sturdy single pedestal design with solid one piece, heavy gauge 1/4" steel base and support post, no weld, for maximum stability.



2 CARTRIDGE MOTOR

Lubricated and enclosed cartridge-style spring motor is easily removable for safe and convenient maintenance. Precision coil spring factory tuned and matched to application for longest life cycle and performance.



MOUNTING PATTERN

Simple slotted mounting pattern located in the steel base for fast and easy reel installation and detachment.



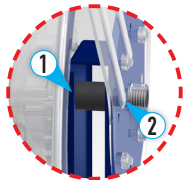
3 CNC SPUN DISCS

Heavy duty CNC robotically spun and ribbed discs with rolled edges for greater strength, durability, hose protection and operator safety.



8 SUPER HUB™

Exclusive Super Hub™ dual axle support system increases the stability during operation, reduces vibration and strengthens the structural integrity of the reel.



4 PRECISION BEARINGS

Sturdy permanently lubricated precision bearings for smooth rotation and trouble-free operation.



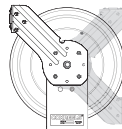
9 FOUR-WAY ROLLER BRACKETS

Pinch-proof four-way rollers allow the hose to be pulled from 360° for greater directional use coverage.



5 LOCKING RING

Multi-position, robust zinc plated locking ring and non-corrosive stainless steel lock ratchet mechanism to secure hose at desired length.



10 MULTI-POSITION GUIDE ARM

Versatile steel guide arm adjusts to wall, floor, ceiling & vehicle mounting positions.



6 SOLID STEEL AXLE

1" solid steel axle with flat arbor for strong spring engagement and stainless steel set screw for non-corrosive swivel assembly provides solid internal core, long lasting use and reliable performance. Not a hollow tube, no fluid travels through it.



11 HOSE STOP

Adjustable solid rubber hose stop for convenient lead length positioning.

ACCESSORIES & UPGRADES



MOUNTING BRACKETS

Designed for
OXY-ACETYLENE
AND "T" GRADE FUEL



www.coxreels.com

800.COX.REEL

P: 480.820.6396

F: 480.820.5132

E: info@coxreels.com

FF-SDWR-01