

# VACUUM HOSE REELS **V SERIES**

**COXREELS® V Series** spring driven and hand crank vacuum hose reels are available in both vacuum only and vacuum/pneumatic combinations. Both are designed to extract unwanted fumes, particles and by-products from your work area. The vacuum/pneumatic models have dual plumbing for vacuum extraction while simultaneously powering pneumatic tools such as grinders and sanders in an enclosed efficient system.

## V100 SERIES MODELS

LESS HOSE								SIZE INDEX
MODEL	DESCRIPTION	VACUUM			AIR		APRX. LBS.	
		INLET	CAP.	VAC.	INLET	CAP.		
V-117-850	Vacuum Only, Direct Crank	1½" Cuff	50	29" Hg	-	-	28	1

## V1175 SERIES MODELS

LESS HOSE								SIZE INDEX
MODEL	DESCRIPTION	VACUUM			AIR		APRX. LBS.	
		INLET	CAP.	VAC.	INLET	CAP.		
V-1175-850	Vacuum Only, Direct Crank	1½" NPT	50	29" Hg	-	-	118	2
V-1175-850-C	Vacuum Only, Bevel Front Crank	1½" NPT	50	29" Hg	-	-	121	3
V-1175-850-T	Vacuum Only, Bevel Top Crank	1½" NPT	50	29" Hg	-	-	121	3
VA-1175-850*	Vacuum & Air, Rim Rewind	1½" NPT	50	29" Hg	½" NPT	50	123	4
VA-1175-850-C*	Vacuum & Air, Bevel Front Crank	1½" NPT	50	29" Hg	½" NPT	50	126	4
VA-1175-850-T*	Vacuum & Air, Bevel Top Crank	1½" NPT	50	29" Hg	½" NPT	50	126	4

\*VA models have dual plumbing for both vacuum & air applications, pneumatic swivel inlet is solid brass ½" NPT 300 PSI swivel

## V SERIES MODELS

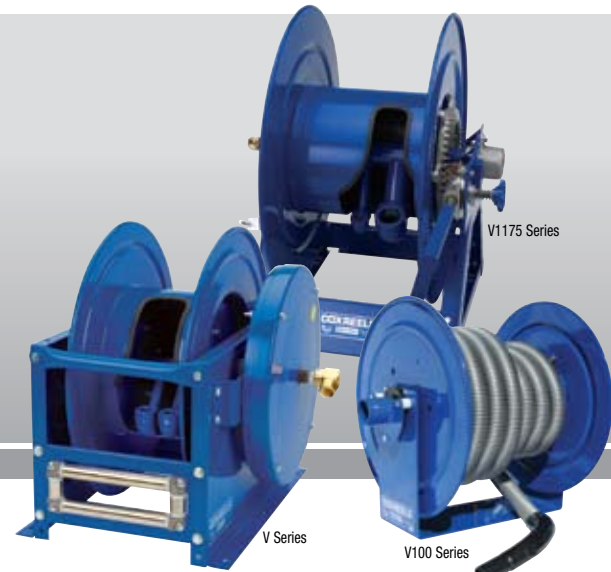
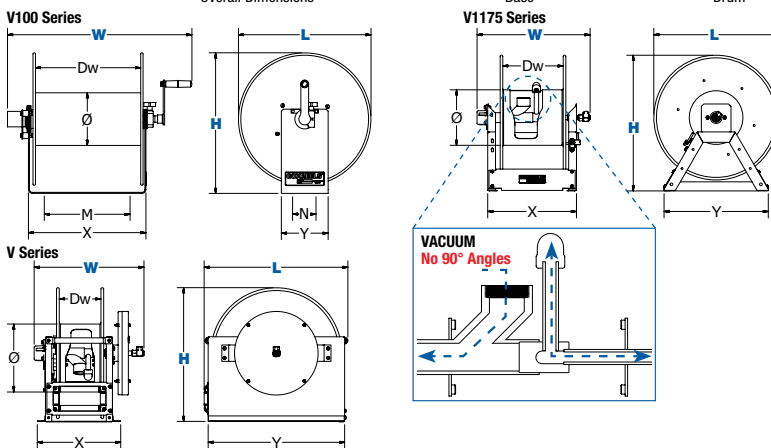
LESS HOSE								SIZE INDEX
MODEL	DESCRIPTION	VACUUM			AIR		APRX. LBS.	
		INLET	CAP.	VAC.	INLET	CAP.		
V-SLPL-825	Vacuum Only, Spring Rewind	1½" NPT	25	29" Hg	-	-	102	5
VA-DLPL-825*	Vacuum & Air, Spring Rewind	1½" NPT	25	29" Hg	½" NPT	25	107	6

\*VA models have dual plumbing for both vacuum & air applications, pneumatic swivel inlet is solid brass ½" NPT 300 PSI swivel

## REEL DIMENSIONS

Technical Data Sheets Available On Website

SIZE INDEX	W	H	L	X	Y	Ø	Dw
1	23⅝"	18"	17"	15"	6"	13½"	6¾"
2	24⅞"	26⅛"	24"	17⅞"	20¼"	10½"	11⅝"
3	22"	26⅛"	24"	17⅞"	20¼"	10½"	11⅝"
4	21¾"	26⅛"	24"	17⅞"	20¼"	10½"	11⅝"
5	17½"	24½"	26⅜"	15⅜"	25"	10½"	7½"
6	20⅞"	24½"	26⅜"	15⅜"	25"	10½"	7½"



## V SERIES :: REEL SPECIFICATIONS

### V100 SERIES

- Direct hand crank reel with a solid one piece steel "U" shaped frame design
- Lightweight & compact design makes this reel the ideal solution for commercial vacuum systems
- Direct connect port for vacuum hose with bullet cuffs
- Adjustable tension brake to prevent "free-wheeling" during operation, transport or storage

### V1175 SERIES

- Sturdy all welded "A" frame base with a double supported steel axle
- Bevel gear hand crank
- Removable crank handle for compact storage
- Low profile outlet riser & open drum slot design, provide a non-crimping, flat smooth hose wrap

### V SERIES

- Enclosed factory tuned & matched cartridge-style spring motor
- Sturdy box-style frame with heavy duty steel cross supports to all four corners for extra rigidity
- Low profile outlet riser & open drum slot design, provide a non-crimping, flat smooth hose wrap
- Self-lubricated flange bearings & multi-position lock ratchet
- Lubricated factory matched cartridge-style spring motor
- Heavy duty 1" O.D non-corrosive stainless steel rollers
- Cast iron lock ring with non-sparking bronze pawl

### SIGNATURE FEATURES

- Professional grade heavy duty steel construction
- Durable proprietary CPC™ powder coat process
- Rolled edges & ribbed discs provide strength & safety
- Leading 2-year manufacturer's limited warranty
- Made in the U.S.A. - Sold & Supported Worldwide

### POSSIBLE FIELDS OF APPLICATION

- Vacuum Operation
- General Industrial
- Manufacturing Plants & Facilities
- Maintenance, Repair & Operations
- Construction Sites

### ACCESSORIZE YOUR REEL :: PG 50

- O-Rings & Swivels
- Roller Brackets
- Hoses
- Assorted Reel Accessories



SPRING DRIVEN