

EXP-10.DWG

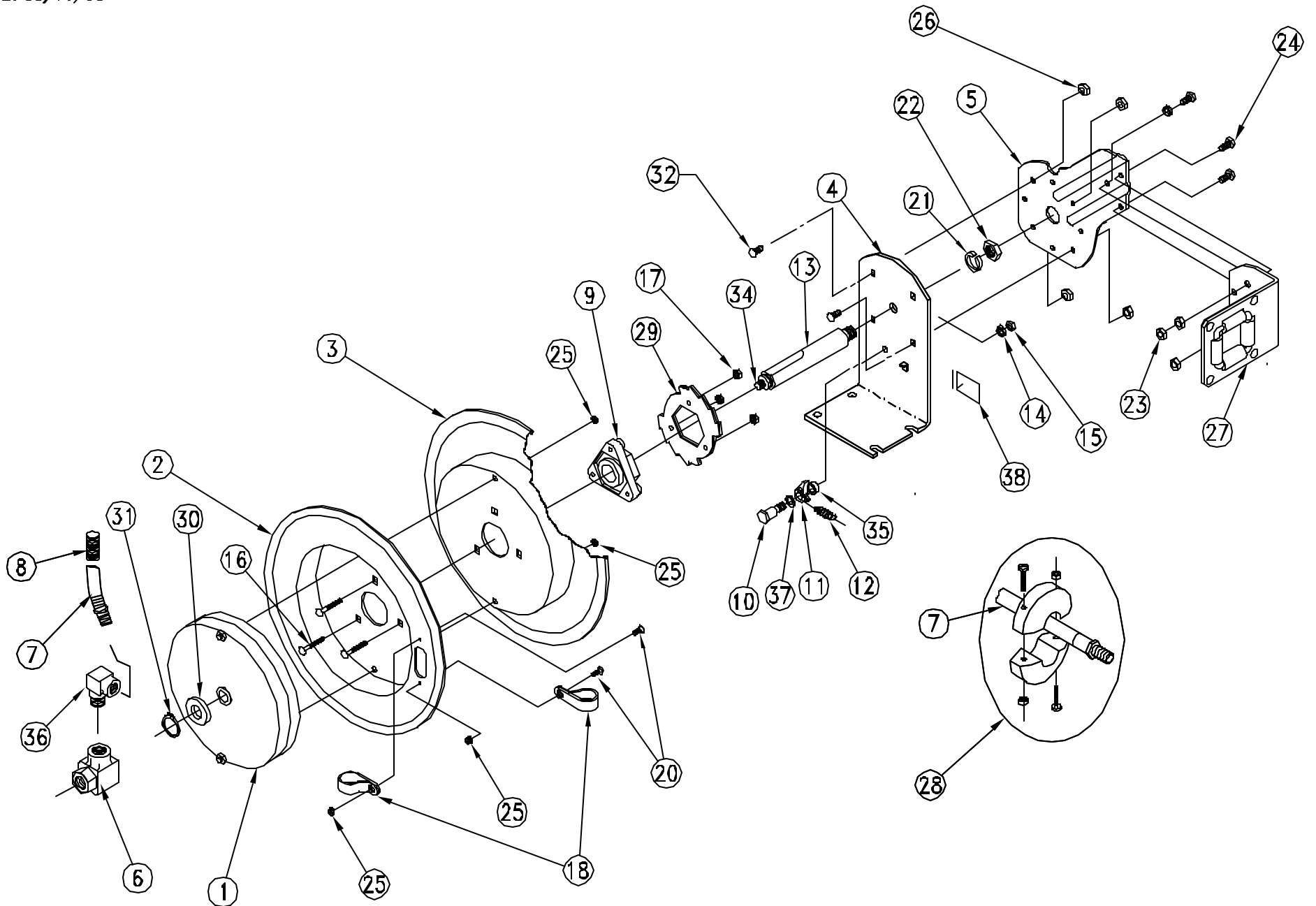
REVISION: T

ECO NO.: 2158-1

DRAWN BY: M. LLOYD

DATE: 05/11/05

**COXREELS**  
**SERIES P**



ITEM NO.	PART NO.	DESCRIPTION	QTY REQ'D
9	1776-3	ASSY., HUB BEARING	1
10	1620	BOLT, SHOULDER, 1/2"x1-1/2"	1
11	640-1-SS	CAM, LOCKING	1
12	274-1-SS	SPRING, DOG	1
14	437	WASHER, LOCK, 3/8"	1
15	184	NUT, JAM, 3/8-16	1
16	1953	CARRIAGE BOLT, 1/4-20 x 1.5	3
17	125	NUT, KEPS, 1/4-20	3
20	245	SCREW, TRUSS HD. 10-32x3/8"	2
21	438	WASHER, LOCK, 5/8"	1
22	3584	NUT, 5/8-11	1
23	111	NUT, LOCK, 5/16-18	3

ITEM NO.	PART NO.	DESCRIPTION	QTY REQ'D
24	312	BOLT, 5/16-18"	3
25	130	NUT, KEPS, 10-32	4
26	111-1	NUT, LOCK, 5/16-18, LOW PROF	4
29	1924	LOCKING RING	1
30	1755-1	WASHER, SPACER	1
31	1753	RETAINING RING (5160-75)	1
32	10220-75	BOLT, CARRIAGE, 5/16-18x3/4"	4
34	10235-SS	SETSCREW 3/8-16x1" CUP PT-SS	1
35	6440-SS	WASHER, SPACER	1
37	6441-1	WASHER, SPACER	1
38	10925-5	LABEL	1

ITEM NUMBER

MODEL NO.	ITEM NUMBER														
	1 SPRING	2 DRUM	3 DRUM	4 BASE	5 ARM	6 SWIVEL	* 7 HOSE (STD)	* 7 HOSE (-OG)	* 7 HOSE (-RH)	* 8 HOSE GRD	13 AXLE	18 CLAMP	27 ROLLER B.	* 28 BALL STOP	36 ELBOW
P-LP-110	1959-1	139-1	140-1	1954	1732-1	1969	5150-10	5121-10	3870-10	237-1	1956	2169	1728-2	131	-
P-LP-115	1959-2	139-1	140-1	1954	1732-1	1969	5150-15	5121-15	3870-15	237-1	1956	2169	1728-2	131	-
P-LP-125	1959-3	139-1	140-1	1954	1732-1	1969	5150-25	5121-25	3870-25	237-1	1956	2169	1728-2	131	-
P-LP-130	1959-4	139-1	140-1	1954	1732-1	1969	5150-30	5121-30	3870-30	237-1	1956	2169	1728-2	131	-
P-LP-135	1959-5	139-1	140-1	1954	1732-1	1969	5150-35	5121-35	3870-35	237-1	1956	2169	1728-2	131	-
P-LP-140	689-4	1948	1947	1970	1732-2	1969	5150-40	5121-40	3870-40	237-1	1956	2169	1728-3	131	-
P-LP-150	689-5	1948	1947	1970	1732-2	1969	5150-50	5121-50	3870-50	237-1	1956	2169	1728-3	131	-
P-LP-310	1959-1	139-1	140-1	1954	1732-1	1935	5153-10	5101-10	5045-10	237-1	1956	381	1728-2	131-3	-
P-LP-315	1959-2	139-1	140-1	1954	1732-1	1935	5153-15	5101-15	5045-15	237-1	1956	381	1728-2	131-3	-
P-LP-325	1958-7	139-1	140-1	1954	1732-1	1935	5153-25	5101-25	5045-25	237-1	1956	381	1728-2	131-3	-
P-LP-330	689-3	1948	1947	1970	1732-2	1935	5153-30	5101-30	5045-30	237-1	1956	381	1728-3	131-3	-
P-LP-335	689-3	1948	1947	1970	1732-2	1935	5153-35	5101-35	5045-35	237-1	1956	381	1728-3	131-3	-
P-LP-340	689-4	1948	1947	1970	1732-2	1935	5153-40	5101-40	5045-40	237-1	1956	381	1728-3	131-3	-
P-LP-350	1961-7	1948	1947	1970	1732-2	1935	5153-50	5101-50	5045-50	237-1	1956	381	1728-3	131-3	-
P-LP-415	689-1	1948	1947	1970	1732-2	439	5154-15	5131-15	5066-15	398-1	1956	383	1728-3	131-4	-
P-LP-425	689-2	1948	1947	1970	1732-2	439	5154-25	5131-25	5066-25	398-1	1956	383	1728-3	131-4	-
P-LP-430	1961-5	1948	1947	1970	1732-2	439	5154-30	5131-30	5066-30	398-1	1956	383	1728-3	131-4	-
P-LP-450	2037-6	1948-1	1947	1970	1732-2	439	5154-50	5131-50	5066-50	398-1	1956	383	1829-2	131-4	-

ITEM NUMBER

MODEL NO.	ITEM NUMBER								* 8 HOSE GRD	13 AXLE	18 CLAMP	27 ROLLER B.	* 28 BALL STOP	36 ELBOW
	1 SPRING	2 DRUM	3 DRUM	4 BASE	5 ARM	6 SWIVEL	* 7 HOSE (STD)							
P-MP-320	2037-4	1948	1947	1970	1732-2	1935	5224-20	237-1	1956	381	1728-3	131-3	500	
P-MP-325	2037-3	1948	1947	1970	1732-2	1935	5224-25	237-1	1956	381	1728-3	131-3	500	
P-MP-330	2037-2	1948	1947	1970	1732-2	1935	5224-30	237-1	1956	381	1728-3	131-3	500	
P-MP-335	2037-1	1948	1947	1970	1732-2	1935	5224-35	237-1	1956	381	1728-3	131-3	500	
P-MP-420	2037-4	1948	1947	1970	1732-2	434	5256-20	398-1	1956	383	1728-3	131-4	1671	
P-MP-425	2037-3	1948	1947	1970	1732-2	434	5256-25	398-1	1956	383	1728-3	131-4	1671	
P-MP-430	2037-2	1948	1947	1970	1732-2	434	5256-30	398-1	1956	383	1728-3	131-4	1671	

ITEM NUMBER

MODEL NO.	ITEM NUMBER								* 8 HOSE GRD	13 AXLE	18 CLAMP	27 ROLLER B.	* 28 BALL STOP	36 ELBOW
	1 SPRING	2 DRUM	3 DRUM	4 BASE	5 ARM	6 SWIVEL	* 7 HOSE (STD)							
P-HP-120	2037-4	1948	1947	1970	1732-2	499	5304-20	237-1	1956	115	1728-3	131	616	
P-HP-125	2037-3	1948	1947	1970	1732-2	499	5304-25	237-1	1956	115	1728-3	131	616	
P-HP-130	2037-2	1948	1947	1970	1732-2	499	5304-30	237-1	1956	115	1728-3	131	616	
P-HP-135	2037-1	1948	1947	1970	1732-2	499	5304-35	237-1	1956	115	1728-3	131	616	
P-HP-320	2037-4	1948	1947	1970	1732-2	521	5336-20	237-1	1956	613	1728-3	131-3	617	
P-HP-325	2037-3	1948	1947	1970	1732-2	521	5336-25	237-1	1956	613	1728-3	131-3	617	
P-HP-330	2037-2	1948	1947	1970	1732-2	521	5336-30	237-1	1956	613	1728-3	131-3	617	

\* ON "LESS HOSE" MODELS (P-LPL-/P-MPL-/P-HPL-) EXCLUDE ITEMS #7,#8, AND #28.  
 NOTE: MODELS SUPPLIED WITH "STANDARD" HOSE UNLESS SUFFIXED WITH "-OG" OR "-RH". USE HOSE NUMBERS AS NOTED ABOVE.

REEL ASSEMBLY REPORTS: R100 (LATCHOUT REMOVAL), R101 (LOCKING RING PLACEMENT), R112 (TIGHTENING AND TORQUING)