

EXP-156

REV: B

DATE: 1/6/03,

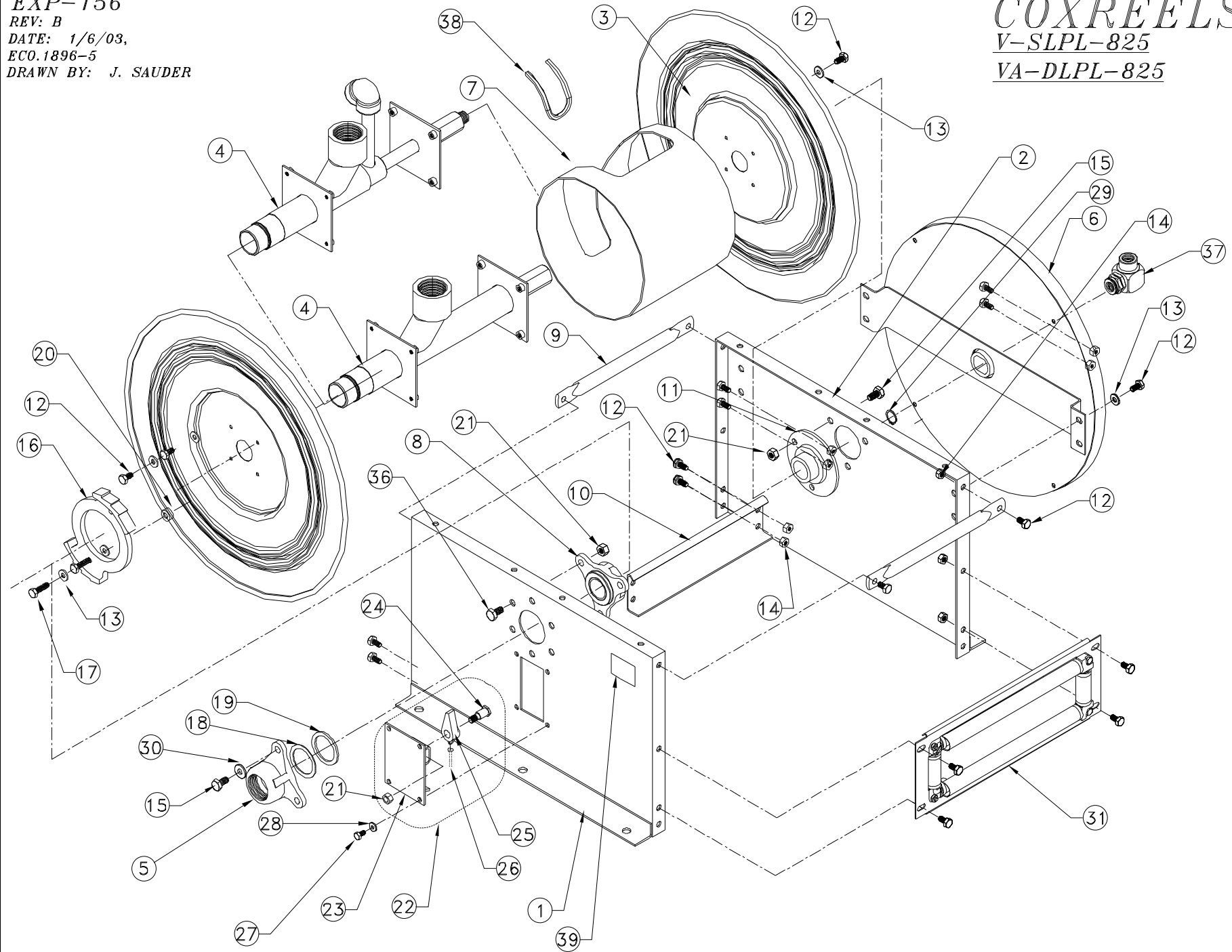
ECO.1896-5

DRAWN BY: J. SAUDER

COXREELS

V-SLPL-825

VA-DLPL-825



COMMON PARTS TO SLP/DLP VACUUM SERIES MODELS

ITEM	PART	DESCRIPTION	V-SLPL-825	VA-DLPL-825
1	20230	ASSY, PANEL, SWIVEL, 24"	1	1
2	20228	ASSY, PANEL, SPRING, 24"	1	1
3	7603-1	ASSY, DISC, 24"	2	2
4	7911	ASSY, PLUMBING, 1-1/2"	1	-
	7787	ASSY, PLUMBING, DUAL 1-1/2 & 1/2"	-	1
5	20288	ASSY, SWIVEL, 1-1/2"	1	1
6	7796	ASSY, SPRING CAN	1	1
7	7816-7.5	DRUM, CENTER	1	-
	7786-7.5	DRUM, CENTER	-	1
8	20281	ASSY, BEARING ϕ 1.750" I.D.	1	-
	7622	ASSY., BEARING ϕ 1.876" I.D.	-	1
9	20244-7.5	BAR, SPACER	2	2
10	20385-7.5	ANGLE, BOTTOM SPACER	1	1
11	20300	ASSEMBLY, BEARING	1	1
12	312	BOLT, 5/16-18 X 3/4" LG	18	18
13	112	WASHER, LOCK, 5/16	12	12
14	111	NUT, LOCK, 5/16-18	8	8
15	436	BOLT, 3/8-16 X 3/4"	3	3
16	20194	RING, LOCKING	1	1
17	10218	BOLT, 5/16-18 X 2-1/2" LG	2	2
18	20264	WASHER, BEARING	1	1
19	20266	RING, RETAINING	1	1
20	20780	SPACER, NYLON, 1" OD	2	2
21	435	NUT, LOCK, 3/8-16	7	7
22	20000	ASSEMBLY, LOCKING BRACKET	1	1
23	639	BRACKET, LOCKING	1	1
24	1620	SHOULDER BOLT	1	1
25	640	CAM, LOCKING	1	1
26	20019	SPRING	1	1
27	113	BOLT, 1/4-20 X 1/2"	4	4
28	114	WASHER, LOCK, 1/4"	4	4
29	279	RETAINING RING	-	1
30	437	WASHER, 3/8"	3	3
31	8101-7.5	ASSY, ROLLER BRACKET	1	1
36	20016	BOLT, 3/8-16 X 1" LG	3	3
37	439	SWIVEL ASSY, 1/2" NPT	-	1
38	7460-14	TRIM, DRUM EDGE	1	-
	7460-15.5	TRIM, DRUM EDGE	-	1
39	10925-5	NAMEPLATE, PRODUCT	1	1

REVISION: B

ECO: 1896-5

DATE: 1/6/2003

NAME: J. SAUDER